

Fig. 181

Adjustable Steel Yoke Pipe Roll

Size Range: 2 1/2" through 24"

Material: Cast iron roll; carbon steel yoke, roll rod and hex nuts

Finish: Plain, Hot-Dip Galvanized Yoke with Zinc Plated Parts or Resilient Coated

Service: For suspension of pipe from a single rod where longitudinal movement may occur because of expansion or contraction.

Maximum Temperature: 400° F at roller, 300° F at resilient coated roller.

Approvals: Complies with Federal Specification A-A-1192A (Type 43), WW-H-171-E (Type 44), ANSI/MSS SP-69 and MSS SP-58 (Type 43).

Features: Advantages of pipe rollers with a protective resilient coated covering.

- Non conductive pipe rollers - prevent the passing of current from pipeline to structure.
- Corrosion resistant - for protection against severe weather conditions, moderate corrosive conditions such as marine atmospheres and weather resistant to ultra-violet radiation.
- Low coefficient of friction between pipe and resilient coated pipe roller.

How to size: If the roll is to support bare pipe, select the size directly from nominal pipe size (see below). If used with pipe covering protection saddle, see Figure 160 to 166A for size of pipe roll to be used.

Ordering: Specify pipe roll size, figure number, name and finish. Be certain to order oversized rolls when insulation and protection saddles are required.

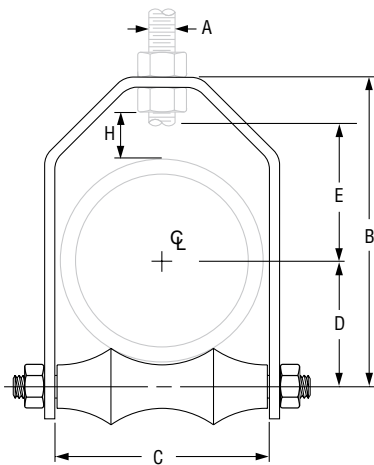
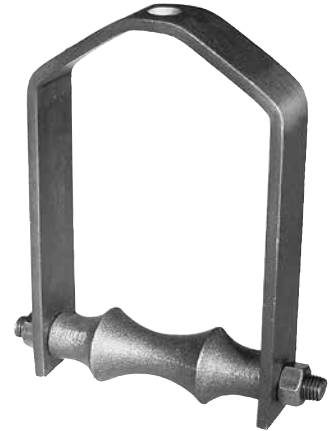


FIG. 181: DIMENSIONS (IN) • LOADS (LBS) • WEIGHT (LBS)

Pipe Size	Max O.D. of Covering	Max Load	Wgt.	Rod Size A	B	C	D	Rod Take Out E	H
2 1/2	3	225	1.7	1/2	5 3/4	3 1/4	1 15/16	2 7/8	1 11/16
3	3 5/8	310	2.2		6 3/8	3 7/8	2 1/4	3 1/8	1 5/8
3 1/2	4 1/8	390	2.5	5/8	7	4 3/8	2 9/16	3 1/2	1 11/16
4	4 11/16	475	3.2		7 9/16	4 15/16	2 13/16	3 5/8	1 5/8
5	5 3/4	685	6.3	3/4	9 1/8	6	3 7/16	4 1/2	1 15/16
6	6 7/8	780	9.3		10 5/16	7 1/8	4	5	1 7/8
8	9	1,200	14.5	7/8	12 1 1/4	9 1/4	5 1/8	6 1/8	2
10	11		18.8		15 1/16	11 1/4	6 3/8	7 1/4	2 1/16
12	13	27.7	39.1	1	17 7/16	13 3/4	7 7/16	8 3/8	2 1/4
14	14 1/4	1,400			18 7/8	14 1/2	8 3/8	8 3/4	2
16	16 1/4	49.1	57.8	1 1/4	20 13/16	16 1/2	9 3/8	9 11/16	1 15/16
18	18 1/4	1,400			23 3/4	18 1/2	10 7/16	11 7/16	2 13/16
20	20 1/4	1,600	75.9	1 1/2	26	20 1/2	11 5/8	12 1/4	2 1/2
24	24 1/4	1,800	119.3	1 1/2	32 5/16	24 5/8	13 15/16	15 3/4	4 3/8

DI/CI ROLL SIZING	
DI/CI Pipe Size	Fig. 181 Roller Size
3	4
4	5
6	6
8	8
10	10
12	14
14	16
16	18
18	20
20	24

PROJECT INFORMATION		APPROVAL STAMP	
Project:		<input type="checkbox"/> Approved	
Address:		<input type="checkbox"/> Approved as noted	
Contractor:		<input type="checkbox"/> Not approved	
Engineer:		Remarks:	
Submittal Date:			
Notes 1:			
Notes 2:			