

## Fig. 65

### Light Duty Adjustable Clevis

**Size Range:** 1/2" through 4"

**Material:** Carbon steel

**Finish:**  Plain or  Zinc Plated (Hot-Dip Galvanized optional)

**Service:** Recommended for suspension of **stationary** pipe or conduit.

**Maximum Temperature:** Plain 650° F, Galvanized and Epoxy 450° F

**Approvals:** Complies with Federal Specification WW-H-171-E (Type 12).

**Installation:** Hanger load nut above the clevis must be tightened securely to assure proper hanger performance.

**Adjustment:** Vertical adjustment is provided, varying with the size of clevis. Tighten upper nut after adjustment.

**Features:** An economical attachment for light duty service.

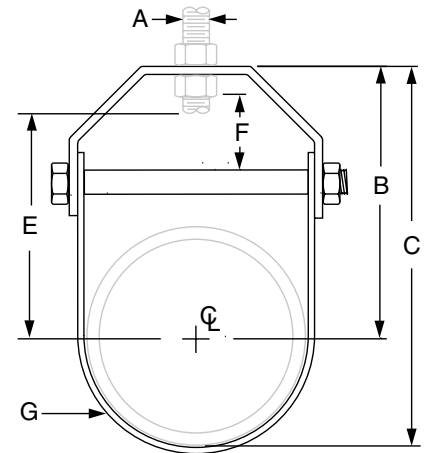
**Ordering:** Specify pipe size, figure number, name and finish.

**Metric nut available upon request.**

**Caution:** When an oversize clevis is used, a pipe spacer or multispace should be placed over clevis bolt to ensure that the lower U-strap will not move in on the bolt.



FIG. 65: LOADS (LBS) • WEIGHT (LBS) • DIMENSIONS (IN)								
Pipe Size	Max Load	Weight	Rod Size A	B	C	Rod Take Out E	Adjustment F	G Width Lower
1/2	150	0.10	3/8	1 11/16	2 3/32	1 1/4	7/16	5/8
3/4	250	0.17		1 7/8	2 13/32	1 7/16	1/2	3/4
1		0.18		2 5/32	2 13/16	1 11/16	5/8	
1 1/4		0.21		2 17/32	3 3/8	2 1/16	13/16	
1 1/2		0.24		2 13/16	3 13/16	2 3/8	15/16	
2	0.26	3 1 1/32		4 17/32	2 7/8	1 3/16		
2 1/2	350	0.50		3 27/32	5 9/32	3 1/4	1 5/16	
3		0.59		4 15/32	6 7/32	3 7/8	1 5/8	
3 1/2		0.62		4 31/32	6 31/32	4 3/8	1 7/8	
4		0.77		5 17/32	7 25/32	4 15/16	2 1/8	



PROJECT INFORMATION		APPROVAL STAMP	
Project:		<input type="checkbox"/> Approved	
Address:		<input type="checkbox"/> Approved as noted	
Contractor:		<input type="checkbox"/> Not approved	
Engineer:		Remarks:	
Submittal Date:			
Notes 1:			
Notes 2:			