



SPECIFICATION SHEET

302-MVZP



ANSI TYPE R CLASS 2 TWO-TONE SIX POCKET MESH VEST

- Breathable polyester mesh
- 2" two tone tape for optimum visibility
- Zipper closure
- 2 lower external flap pockets
- 2 external chest pockets
- 2 internal lower pockets
- Available in hi-vis lime yellow and hi-vis orange

APPLICATIONS

- Construction
- Municipalities
- Shipyards
- Anywhere hi-visibility apparel is necessary

CARE INSTRUCTIONS

Recommend washing in tempered water not exceeding 104°F or 40°C. Wash in a 5-10 minute cycle time or hand wash. Rinse in cold water. Tumble dry at temperature not exceeding 104°F or 40°C, do not wring. Do not wash in biological powder, wash as synthetics. Maximum of 30 wash cycles.

TECHNICAL DATA

MATERIAL	100% Polyester
CONSTRUCTION	120g/m ² 100% polyester 5*1 mesh fabric; 110g/m ² 100% polyester, 150D Oxford warning tape.; #5 resin zipper; two-tone reflective tape
COLOR	■ Hi-Vis Lime Yellow or ■ Hi-Vis Orange
SIZES	S - 5X
PACKAGING	1/Polybag, 50/Case
CASE	19.7" x 11" x 15" / 50cm x 28cm x 38cm
CASE WEIGHT	31 lbs / 14 kg
COO	China

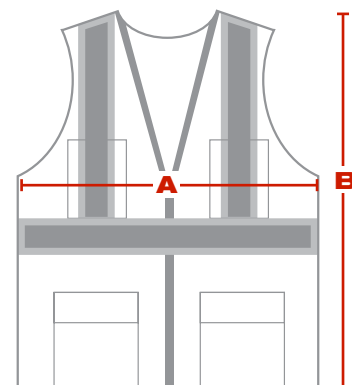


DIMENSIONS (in/cm)

	S	M	L	XL	2X	3X	4X	5X
A	45/114	47.2/120	49.6/126	52/132	54.3/138	56.7/144	59/150	61.4/156
B	24/69	28/71	28/71	28/71	28/71	28/71	28/71	28/71

BARCODES

ITEM	BAG	DOZEN	CASE
■ 302-MVZP-LY/S	01616314204745	---	02616314204744
■ 302-MVZP-LY/M	01616314078926	---	02616314078925
■ 302-MVZP-LY/L	01616314072818	---	02616314072817
■ 302-MVZP-LY/XL	01616314072825	---	02616314072824
■ 302-MVZP-LY/2X	01616314072795	---	02616314072794
■ 302-MVZP-LY/3X	01616314072801	---	02616314072800
■ 302-MVZP-LY/4X	01616314078933	---	02616314078932
■ 302-MVZP-LY/5X	01616314078940	---	02616314078949
■ 302-MVZP-OR/S	01616314204752	---	02616314204751
■ 302-MVZP-OR/M	01616314088307	---	02616314088306
■ 302-MVZP-OR/L	01616314088314	---	02616314088313
■ 302-MVZP-OR/XL	01616314088321	---	02616314088320
■ 302-MVZP-OR/2X	01616314088338	---	02616314088337
■ 302-MVZP-OR/3X	01616314088345	---	02616314088344
■ 302-MVZP-OR/4X	01616314088352	---	02616314088351
■ 302-MVZP-OR/5X	01616314088369	---	02616314088368



PROTECTIVE INDUSTRIAL PRODUCTS, INC. | BRINGING THE BEST OF THE WORLD TO YOU®

AMERICAS: (800) 262-5755 • (518) 861-0133 | EUROPE: +34-96182-41-48 | AMEA: (ASIA, MIDDLE EAST, AFRICA) 852-2475-9228 | www.pipglobal.com

This document and the information contained herein is the property of Protective Industrial Products, Inc. (PIP) and may not be used or reproduced without permission. Product users should conduct all appropriate testing or other evaluations to determine the suitability of PIP products for a particular purpose or use within a particular environment. PIP DISCLAIMS ALL WARRANTIES OTHER THAN AS EXPRESSLY PROVIDED.