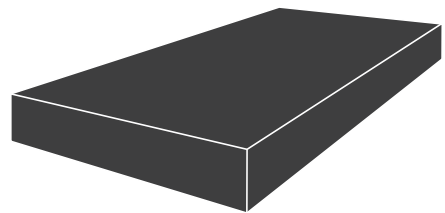


# ALUMINUM

## SHEET/PLATE



### 3003-H14 SERIES SHEET/PLATE

- SHEET  
Thickness (in.): .032, .040, .050, .063, .080, .090, .100, .125, .190  
Width (in.): 48, 60  
Length (in.): 96, 120
- PLATE  
Thickness (in.): .25  
Width (in.): 48, 60  
Length (in.): 96, 120

### 6061-T6 SERIES SHEET/PLATE

- SHEET  
Thickness (in.): .063, .125, .190  
Width (in.): 48  
Length (in.): 96
- PLATE  
Thickness (in.): .25, .375, .50  
Width (in.): 48.5  
Length (in.): 96.5, 144.5

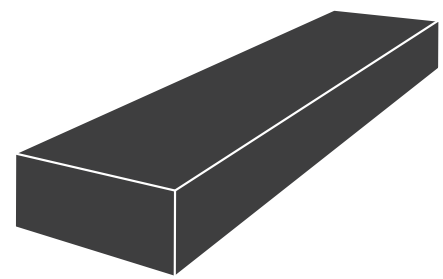
### 5052-H32 SERIES SHEET/PLATE

- SHEET  
Thickness (in.): .090  
Width (in.): 48, 60  
Length (in.): 96, 120
- PLATE  
Thickness (in.): .25, .50  
Width (in.): 48  
Length (in.): 96

### TREAD BRITE/PLATE

- 3003-H22 SERIES  
Thickness (in.): .063, .125, .188, .25  
Width (in.): 48, 60  
Length (in.): 96, 120, 144
- 6061-T6 SERIES  
Thickness (in.): .25, .375, .50  
Width (in.): 48  
Length (in.): 96

## FLAT BAR



### FLAT BAR

- 6061-T6 SERIES  
Thickness (in.): 1/8, 3/16, 1/4, 3/8, 1/2, 5/8, 3/4, 1, 2  
Width (in.): 3/4, 1, 1-1/2, 1-1/4, 2, 2-1/2, 3, 4, 5, 6, 8, 10, 12  
Length (ft.): 12
- 6063-T52 SERIES  
Thickness (in.): 1/8, 1/4  
Width (in.): 1  
Length (ft.): 20

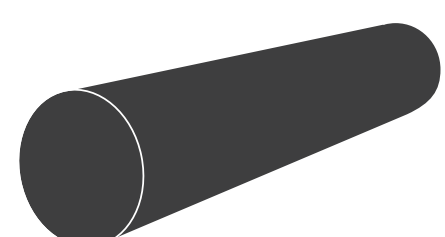
## ANGLE



### ANGLE

- 6061-T6 SERIES  
Leg Length A (in.): 3/4, 1, 1-1/4, 1-1/2, 2, 2-1/2, 3, 4, 6  
Leg Length B (in.): 3/4, 1, 1-1/4, 1-1/2, 2, 2-1/2, 3, 4  
Thickness (in.): 1/8, 3/16, 1/4, 3/8  
Overall Length (ft.): 25
- 6063-T52 SERIES  
Leg Length A (in.): 1/2, 3/4, 1, 2  
Leg Length B (in.): 1/2, 3/4, 1, 2  
Thickness (in.): 1/16, 1/8  
Overall Length (ft.): 16

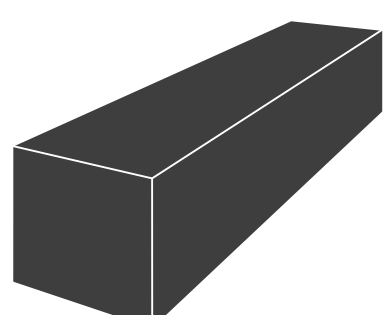
## ROUND



### 6061-T6 SERIES ROUND BAR

- Diameter (in.): 1/4, 5/16, 3/8, 1/2, 5/8, 3/4, 7/8, 1, 1-1/4, 1-1/2, 1-3/4, 2, 2-1/4, 2-1/2
- Length (ft.): 12

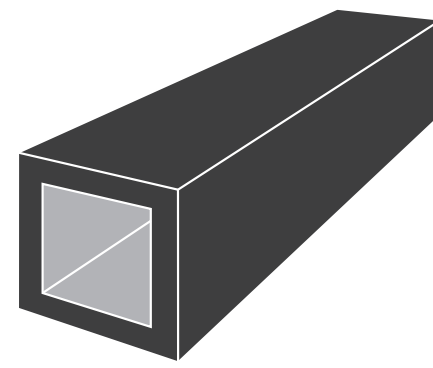
## SQUARE



### 6061-T6 SERIES SQUARE BAR

- Width (in.): 1/2, 3/4, 1, 1-1/2, 2
- Length (ft.): 12

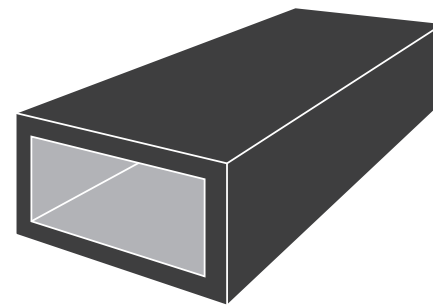
## SQUARE TUBING



### SQUARE TUBING

- 6061-T6 SERIES  
Width (in.): 1-1/2, 2, 3, 4  
Thickness (in.): .187, .188, .250  
Length (ft.): 21-1", 24
- 6063-T52 SERIES  
Width (in.): 1/2, 3/4, 1, 1-1/2, 1-3/4, 2, 2-1/2, 3, 4, 5  
Thickness (in.): .062, .125, .188, .250  
Length (ft.): 21-1", 24

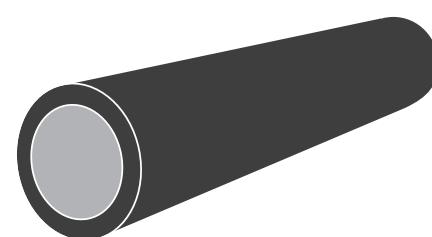
## RECTANGULAR TUBING



### RECTANGULAR TUBING

- 6063-T52 SERIES  
Height (in.): 3/4, 1, 1-1/2, 2  
Width (in.): 1-1/2, 2, 2-1/2, 3, 4, 5, 6  
Thickness: .062, .125, .250  
Length (ft.): 21-1", 24

## PIPE/ROUND TUBING



### PIPE, PLAIN END

- SCHEDULE 40, 6061-T6 SERIES  
Diameter (in.): 1/2, 3/4, 1, 1-1/4, 1-1/2, 2, 2-1/2, 3, 3-1/2, 4  
Length (ft.): 20
- SCHEDULE 40, 6063-T52 SERIES  
Diameter (in.): 1, 1-1/4, 2  
Length (ft.): 20
- SCHEDULE 80, 6061-T6 SERIES  
Diameter (in.): 1, 1-1/4, 2, 2-1/2  
Length (ft.): 20

## CHANNEL



### CHANNEL

- 6061-T6 SERIES  
Base Width (in.): 2, 3, 4, 5, 6, 8  
Leg Length (in.): 1.25, 1.41, 1.5, 1.58, 1.596, 1.647, 1.72, 1.75, 1.92, 2, 2.157, 2.29, 3  
Wall Thickness (in.): 0.13, 0.15, 0.17, 0.18, 0.19, 0.2, 0.247, 0.25, 0.32, 0.356, 0.437  
Overall Length (ft.): 25

### ARCHITECTURAL CHANNEL

- 6061-T6 SERIES  
Base Width (in.): 1, 1-1/2, 2  
Leg Length (in.): 1/2, 1, 2  
Wall Thickness (in.): 1/8, 1/4  
Overall Length (ft.): 16, 20

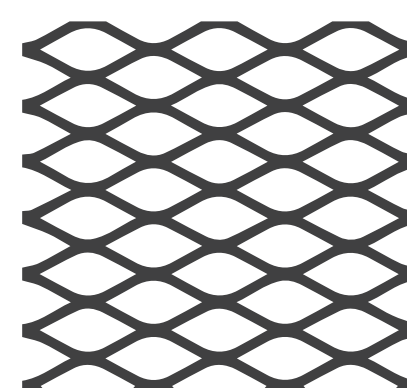
## STANDARD I BEAM



### STANDARD I BEAM

- 6061-T6 SERIES  
Width (in.): 2.66  
Height (in.): 4  
Thickness (in.): 0.19  
Overall Length (ft.): 25

## EXPANDED METAL



### SHEETS

- SHEETS - FLAT  
Opening (in.): 1/2, 3/4  
Thickness (in.): .051, .081, .125  
Width (in.): 48  
Length (in.): 96
- SHEETS - RAISED  
Opening (in.): 3/4  
Thickness (in.): .125  
Width (in.): 48  
Length (in.): 96